

TERMINATOR

USER MANUAL



GUANGDONG YIRI LIGHTING TECHNOLOGY CO., LTD.

Address: NO.55 Zhongzhun Road, Cuiheng New District, Zhongshan City, Guangdong Province

Phone: 0086 (0760) 88280099

www.eklights.com

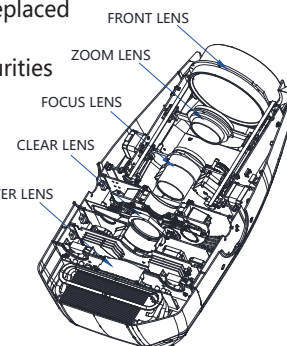
CONTENT

1 Safety	01
2 Dimension	02
3 Control Panel	03
4 Specifications	04
4.1 Spec Sheet	04
4.2 Color/Gobo/Animation	07
4.3 Photometrics	08
5 Fixture Setting	09
5.1 Menu	09
6 Installation	12
6.1 Installation & Notes	12
6.2 Power Connection	13
6.3 Data Connection	14
6.4 DMX Chart	16
7 Error List	21
8 Maintenance	23

8. Maintenance

MAINTENANCE AND CLEANING THE UNIT

- Make sure the area below the installation place is free from unwanted person during setup.
 - Switch off the unit, unplug the main cable and wait till the unit has cooled down.
 - All screws used for installing the device and any of its parts should be tightly fastened and should not be corroded.
 - Housings, fixations and installation spots (ceiling, trusses, suspensions) should be totally free from any deformation.
 - The main cables must be in impeccable condition and should be replaced immediately even when a small problem is detected.
 - It is recommended to clean the front at regular intervals, from impurities caused by dust, smoke, or other particles to ensure that the light is radiated at maximum brightness. For cleaning, disconnect the main plug from the socket. Use a soft, clean cloth moistened with a mild detergent. Then carefully wipe the parts dry.
- For cleaning other housing parts use only a soft, clean cloth. Never use a liquid, it might penetrate the unit and cause damage to it.



FUSE REPLACEMENT

1. Disconnect this product from the power outlet.
2. Using a screwdriver, unscrew the fuse holder cap from the housing.
3. Remove the blown fuse and replace with a good fuse of the same type and rating.
4. Screw the fuse holder cap back in place and reconnect power.



TROUBLESHOOTING

Problems	Possible causes	Checks and remedies
Fixture does not light up	<ul style="list-style-type: none"> • No mains supply • Dimmer fader set to 0 • Faulty LED • Faulty LED board 	<ul style="list-style-type: none"> • Check the power supply voltage • Increase the value of the dimmer channels • Replace the LED board • Replace the LED board
General low light intensity	<ul style="list-style-type: none"> • Dirty lens assembly • Misaligned lens assembly 	<ul style="list-style-type: none"> • Clean the fixture regularly • Install lens assembly properly
Fixture does not power up	<ul style="list-style-type: none"> • No power • Loose or damaged power cord • Faulty internal power supply 	<ul style="list-style-type: none"> • Check for power on power outlet • Check power cord • Replace internal power supply

Contact an authorized service center in case of technical problems or not reported in the above table cannot be resolved by the procedure given in the table.

8015 FanB Error	
9225 FanA Error	
9225 FanB Error	
Lamp Startup Fail	
Gravity Error	Gravity sensor error
All TimeOut	Reset time-out
Lamp Driver Error	Ballast error
Lamp over voltage	Lamp voltage too high
Input voltage too high	
Temperature too high	Ballast temperature too high
Lamp under voltage	Lamp voltage too low
Input voltage too low	
NTC defective	Ballast NTC error
Other fault modes	Other lamp error

1. Safety



WARNING! Before carrying out any operations with the unit, carefully read this instruction manual and keep it with care for future reference. It contains important information about the installation, user and maintenance of the unit.



General instruction

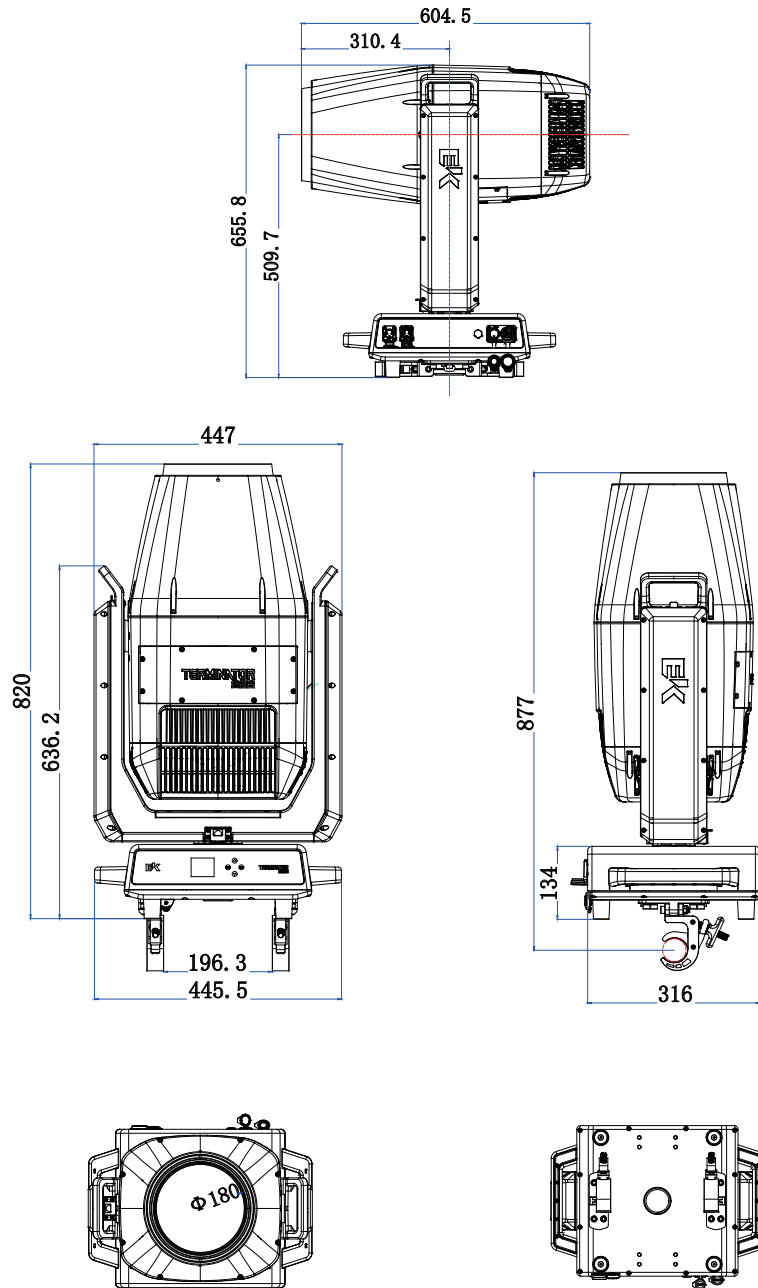
- The products referred to in this manual conform to the European Community Directives and are therefore marked with CE.
- The unit is supplied with hazardous network voltage (230V~). Leave serving to skilled personnel only. Never make any modifications on the unit not described in this instruction manual, otherwise you will risk an electric shock.
- Connection must be made to power supply system fitted with efficient earthing (Class I appliance according to standard EN60598-1). It is moreover, recommended to protect the supply lines of the units from indirect contact and/or shorting to earth by using appropriately sized residual current devices.
- The connection to the main network of electric distribution must be carried out by a qualified electrical installer. Check that the main frequency and voltage correspond to those for which the unit is designed as given on the electrical data label.
- This unit is not for home use, only professional applications.
- Never use the fixture under the following conditions:
 - in places subject to vibrations or bumps;
 - in places with a temperature of over 40°C.
- Make certain that no inflammable liquids, water or metal objects enter the fixture.
- Do not dismantle or modify the fixture.
- All work must always be carried out by qualified technical personnel. Contact the nearest sales point for an inspection or contact the manufacturer directly.
- If the unit is to be put out of operation definitively, take it to a local recycling plant for a disposal which is not harmful to the environment.



Warnings and installation precautions

- If this device will be operated in any way different to the one described in this manual, it may suffer damage and the guarantee becomes void. Furthermore, any operation may lead to dangers like short circuit, burns, electric shock, etc.
- Before starting any maintenance work or cleaning the fixture, cut off power from the main supply.
- Always additionally secure the fixture with the safety rope. When carrying out any work, always comply scrupulously with all the regulations (particularly regarding safety) currently in force in the country in which the fixture's being used.
- Install the fixture in a well ventilated place.
- Keep any inflammable materials at a safe distance from the fixture.
- Shields, lenses or ultraviolet screens shall be changed if they have become damaged to such an extent that their effectiveness is impaired.
- The lamp (LED) shall be changed if it has become damaged or thermally deformed.
- Never look directly at the light beam. Please note that fast changes in lighting, e.g. flashing light, may trigger epileptic seizures in photosensitive persons or persons with epilepsy.
- Do not touch the product's housing when operating because it may be very hot.

2. Dimension



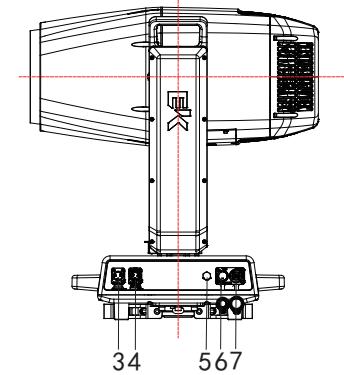
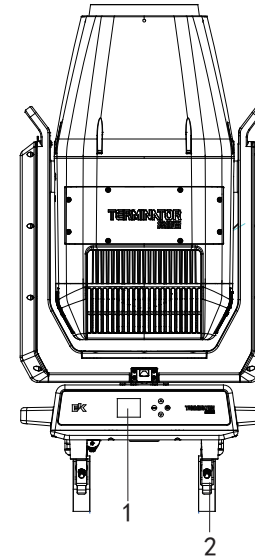
7. Error List

Error Info	Note
CTR1-XY Error	P/T driver board error
CTR2-MOTOR Error	Strobe driver board error
CTR3-MOTOR Error	Color wheel driver board error
CTR4-MOTOR Error	Gobo wheel driver board error
CTR5-MOTOR Error	Focus driver board error
NET Error	NET card error
Pan Sensor Error	
Pan Encode Error	
Tilt Sensor Error	
Tilt Encode Error	
Gobo1 Reset Fail	Rotating gobo wheel
RGobo1 Reset Fail	Rotating gobo
Gobo2 Reset Fail	Static gobo
Effect Reset Fail	Animation wheel
Cyan Reset Fail	
Magenta Reset Fail	
Yellow Reset Fail	
8Prism Reset Fail	8-f prism reset fail
8RPrism Reset Fail	8-f prism self-reset fail
4Prism Reset Fail	4-f prism reset fail
4RPrism Reset Fail	4-f prism self-reset fail
Focus Reset Fail	
Zoom Reset Fail	
Frost Reset Fail	
Blance Reset Fail	
Temperature Error	
6023 FanA Error	
6023 FanB Error	
8015 FanA Error	

6.4.5 DMX Chart

30	000-110	No Function
	111-120	Slow P/T movement(hold for 3S)
	121-130	Medium P/T movement(hold for 3S)
	131-140	Fast P/T movement(default/hold for 3S)
	141-255	No Function
31	000-025	No Function
	026-076	Wheels Reset(hold 3S)
	077-127	P/T Reset (hold 3S)
	128-255	Complete Reset
32	000-025	No Function
	026-100	Lamp Off (Hold 3S)
	101-255	Lamp On (Hold 3S)

3. Overviews



- 1.Control Panel
- 2.Fodable Intergrated Clamp
- 3.3pin(or 5pin) DMX In
- 4.3pin(or 5pin) DMX Out

- 5.Breathing Valve
- 6.Power In
- 7.Power Out

Control Panel

	Illustration	Description	Effect
MODE(LEFT)	Menu Option	Enter Menu	Menu Operation
UP	Up	Scroll Up	Increase Numeric Value
DOWN	Down	Scroll Down	Decrease Numeric Value
ENTER(RIGHT)	Confirm	Confirm	Save Setting

If the panel is password-protected, go to the Advanced menu, in the Menu locking submenu, enter the unlock code using the navigation buttons: 1234

If you want to flip the display, hold UP + DOWN buttons for 3seconds to set display orientation.

4. Specifications

4.1 Specs Sheet

Terminator	
PHOTOMETRICS	
Light Source	660W Osram lamp
CCT	6800K±400
Fixture Output	Wide Angle @ Spot Mode: 22500Lm
Illumination	Spot Mode: Wide Angle : 198000lux @ 20m; Narrow Angle: 248000lux @ 3m Beam Mode: Wide Angle: 392000lux @ 20m; Narrow Angle: 40500lux @ 3m
Color Rendition	CRI can be over 90 with CRI enhancement filter
DUV	0.0001
CCI	0.3G
TM-30-15rg/rf	92/82
TLCI	50
Lamp Life	3000hrs
Beam Angle	Spot Mode: 2.68°-50° Beam Mode: 1.68°-27°
KEY FEATURES	
Pan	540°
Tilt	270°
Color System	CMY + CTO 15 filters + open

6.4.4 DMX Chart

14	118-159	Rotation from slow to fast, forward spin	Rotation Gobo
	160-171	Gobo 1 shaking, from slow to fast	
	172-183	Gobo 2 shaking, from slow to fast	
	184-195	Gobo 3 shaking, from slow to fast	
	196-207	Gobo 4 shaking, from slow to fast	
	208-219	Gobo 5 shaking, from slow to fast	
	220-231	Gobo 6 shaking, from slow to fast	
	232-243	Gobo 7 shaking, from slow to fast	
15	244-255	Gobo 8 shaking, from slow to fast	Rotating Gobo Wheel
	000-127	Gobo 0-540° position	
	128-190	Wheel forward spin rotation from fast to slow	
	191-192	Stop	
16	193-255	Wheel rotation reverse spin from slow to fast	Rotating Gobo Wheel Fine
	000-255	Rotating Gobo Wheel Fine	
17	000-127	4-f Prism Out	4-f Prism
	128-255	4-f Prism In	
18	000-127	Prism 0-540° position	4-f Prism Rotation
	128-190	Forward spin rotation from fast to slow	
	191-192	Stop	
	193-255	Reverse spin rotation from slow to fast	
19	000-127	8-f Prism Out	8-f Prism
	128-255	8-f Prism In	
20	000-127	Prism 0-540° position	8-f Prism Rotation
	128-190	Forward spin rotation from fast to slow	
	191-192	Stop	
	193-255	Reverse spin rotation from slow to fast	
21	000-255	Frost Linear In	
22	000-255	Zoom 0%-100%	
23	000-255	Focus 0%-100%	
24	000-255	Focus Fine	
25	000-127	Spot Mode	
	128-255	Beam Mode	
26	000-255	Pan 0-540 Coarse	
27	000-255	Pan Fine	
28	000-255	Tilt 0-540 Coarse	
29	000-255	Tilt Fine	

6. 4. 3 DMX Chart

11	118-159	Slow to fast(forward spin)	Static Gobo Wheel
	160-165	Gobo 1 shaking, slow to fast	
	166-170	Gobo 2 shaking, slow to fast	
	171-175	Gobo 3 shaking, slow to fast	
	176-180	Gobo 4 shaking, slow to fast	
	181-185	Gobo 5 shaking, slow to fast	
	186-190	Gobo 6 shaking, slow to fast	
	191-195	Gobo 7 shaking, slow to fast	
	196-200	Gobo 8 shaking, slow to fast	
	201-205	Gobo 9 shaking, slow to fast	
	206-210	Gobo 10 shaking, slow to fast	
	211-215	Gobo 11 shaking, slow to fast	
	216-220	Gobo 12 shaking, slow to fast	
	221-225	Gobo 13 shaking, slow to fast	
	226-230	Gobo 14 shaking, slow to fast	
	231-235	Gobo 15 shaking, slow to fast	
	236-240	Gobo 16 shaking, slow to fast	
241-245	Gobo 17 shaking, slow to fast		
246-250	Gobo 18 shaking, slow to fast		
251-255	Gobo 10 shaking, slow to fast		
12	000-255	Animation moves linearly into the light beam	
13	000-003	Stop	
	004-127	Slow to fast (reverse spin)	
	128-132	Stop	
	133-255	Slow to fast(forward spin)	
14	000-007	Open	Rotating Gobo
	008-015	Gobo 1	
	016-023	Gobo 2	
	024-031	Gobo 3	
	032-039	Gobo 4	
	040-047	Gobo 5	
	048-055	Gobo 6	
	056-063	Gobo 7	
	064-071	Gobo 8	
	072-113	Rotation from fast to slow, reverse spin	
114-117	Stop		

4. 1 Specs Sheet

Gobo System	Rotating Gobo Wheel: 8 interchangeable + open
	Static Gobo Wheel: 18 + open
	Animation Wheel
Focus	Electronic Focus
Zoom	Spot mode: 2.68°-50°; Beam Mode: 1.68°-27°
Frost	Frost Lens
Strobe	0 ~ 12Hz
Dimmer	0~100% linear
Prism	Bi-directional indexable 4-facet, 8-facet
Electronics	
Mains	176 ~ 264V,50 ~ 60Hz
Consumption	840W @ 230V
Power Connections	TrueCon In
Data Connections	3pin (or 5pin) DMX In/Out, linking up to 32pcs
Power Factor	0.96@230V
Ambient	-20°C ~ 45°C
Power Supply	176 ~ 264VAC,50 ~ 60Hz,900W

4.1 Specs Sheet

PHYSICAL	
Dimension	447*322*820mm
Weight	34.5kg
IP Rating	IP65
Cooling	IP Low Noise Fan
Housing	Die-cast Magnesium with matte black finish
Mounting	Floor-, flown-mounting and side hanging
CONTROL	
Protocol	DMX512/RMD
DMX Channel	32CH
Display	2.0-inch TFT display
Pixel-Mapping	N/A

6.4.2 DMX Chart

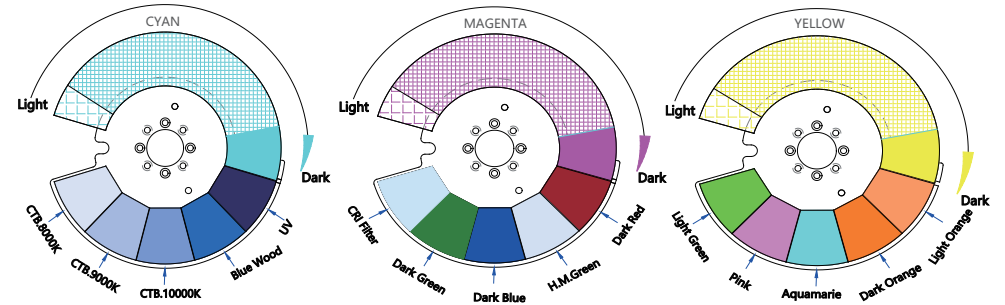
7	140-162	Aquamarie	Color Wheel 3
	163-185	Aquamarie + Dark Orange	
	186-208	Dark Orange	
	209-231	Dark Orange + Light Orange	
	232-255	Light Orange	
8	000-003	Closed	
	004-103	Slow to fast strobe	
	104-107	Open	
	108-207	Fast close slow open	
	208-212	Open	
	213-251	Random Strobe	
	252-255	Open	
9	000-255	Dimmer 0%-100%	
10	000-255	Dimmer Fine	
11	000-003	Open	Static Gobo Wheel
	004-007	Gobo 1	
	008-010	Gobo 2	
	011-014	Gobo 3	
	015-017	Gobo 4	
	018-021	Gobo 5	
	022-024	Gobo 6	
	025-028	Gobo 7	
	029-031	Gobo 8	
	032-035	Gobo 9	
	036-039	Gobo 10	
	040-042	Gobo 11	
	043-046	Gobo 12	
	047-049	Gobo 13	
	050-053	Gobo 14	
	054-056	Gobo 15	
	057-060	Gobo 16	
061-063	Gobo 17		
064-067	Gobo 18		
068-071	Gobo 19		
072-113	Fast to slow (reverse spin)		
114-117	Stop		

6.4.1 DMX Chart

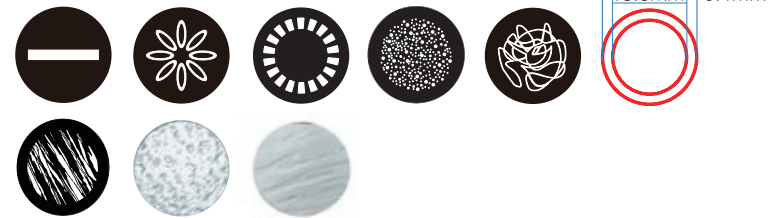
TERMINATOR			
32CH			
Channel	Value	Function	Note
1	000-255	Cyan 100%-0%	Valid only when Color wheel 2 = 0
2	000-255	Magenta 100%-0%	Valid only when Color Wheel 2 = 0
3	000-255	Yellow 100%-0%	Valid only when Color Wheel 3 = 0
4	000-255	CTO 100%-0%	
5	000-023	Open	Color Wheel 1
	024-046	Open + Blue Wood	
	047-069	Blue Wood	
	070-092	Blue Wood + Lavender	
	093-115	Lavender	
	116-139	Lavender + CTO 3200K	
	140-162	CTO 3200K	
	163-185	CTO 3200K+CTO 2500K	
	186-208	CTO 2500K	
	209-231	CTO 2500K+UV	
232-255	UV		
6	000-023	Open	Color Wheel 2
	024-046	Open + Dark Green	
	047-069	Dark Green	
	070-092	Dark Green + +	
	093-115	CTB	
	116-139	CTB + Dark Blue	
	140-162	Dark Blue	
	163-185	Dark Blue + H.M.Green	
	186-208	H.M.Green	
	209-231	H.M.Green + Dark Red	
232-255	Dark Red		
7	000-023	Open	Color Wheel 3
	024-046	Open + Light Green	
	047-069	Light Green	
	070-092	Light Green + Pink	
	093-115	Pink	
	116-139	Pink + Aquamarie	

4.2 Color System / Gobo Wheel / Animation Wheel

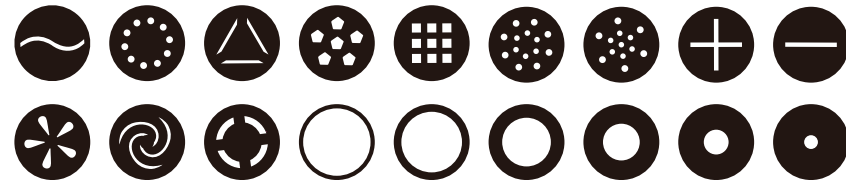
CMY



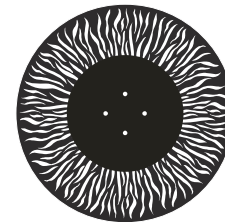
Rotating Gobo Wheel



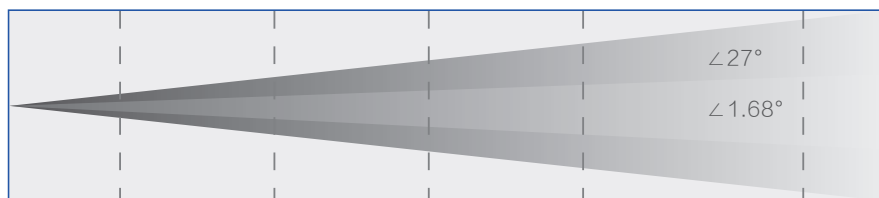
Static Gobo Wheel



Animation



4.3 PHOTOMETRICS

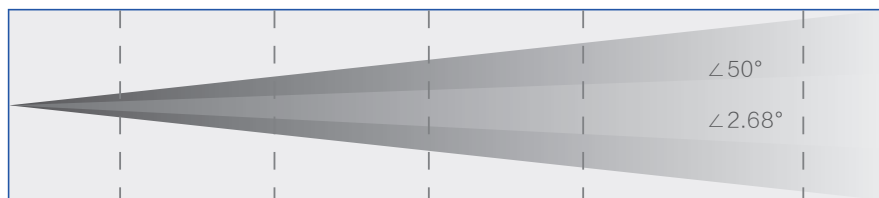


Beam Mode (1.68°)

Distance(m)	20	40	60	80	100
LUX(lux)	190000	47500	21100	11870	7600
Diameter(m)	0.59	1.18	1.77	2.36	2.95

Beam Mode (27°)

Distance(m)	3	5	10	15	20
LUX(lux)	24800	13140	3285	1460	821
Diameter(m)	1.45	2.41	4.82	7.23	9.64



Spot Mode (2.68°)

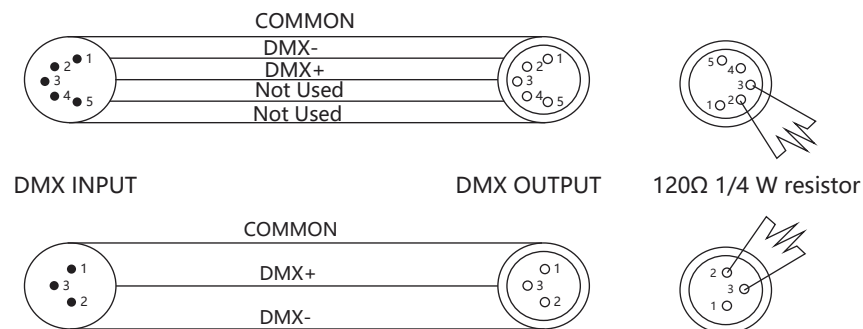
Distance(m)	10	20	50	70	100
LUX(lux)	15600	39200	6272	3200	1560
Diameter(m)	0.47	0.93	2.34	3.28	4.68

Spot Mode (50°)

Distance(m)	3	5	7	10	15
LUX(lux)	4050	1458	743	364	162
Diameter(m)	2.3	3.83	5.36	7.66	11.49

DMX Connections

- Depending on the length of the DMX cable run, or other factors, it may be advisable to install a terminator at the last fixture in the run.
- The illustration below shows the correct placement of a 120Ω 0.25W resistor in a terminator, as well as the standard DMX signal pin-outs



EXAMPLE OF DMX ADDRESSING

The below table shows an example of starting addresses for four fixtures assuming a first fixture with starting address of 001. The actual starting addresses will be determined by the operator as needed to match external controller settings.

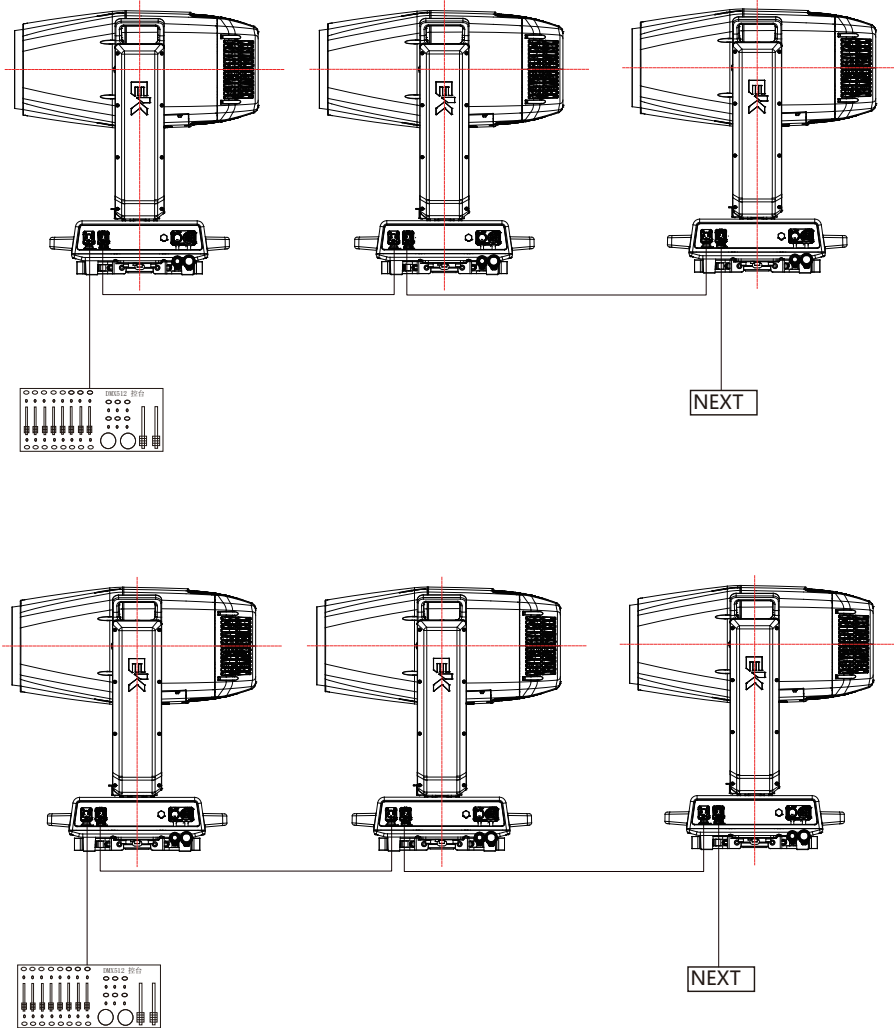
Relation between DMX and Address

MODE	ALLOCATION	START ADDRESS 1ST FIXTURE	START ADDRESS 2ND FIXTURE	START ADDRESS 3RD FIXTURE	START ADDRESS 4TH FIXTURE
32CH	001 - 032	001	033	065	097

Follow above method for subsequent fixtures, calculating starting addressed as indicated.

6.3 Data Connection

DMX connection



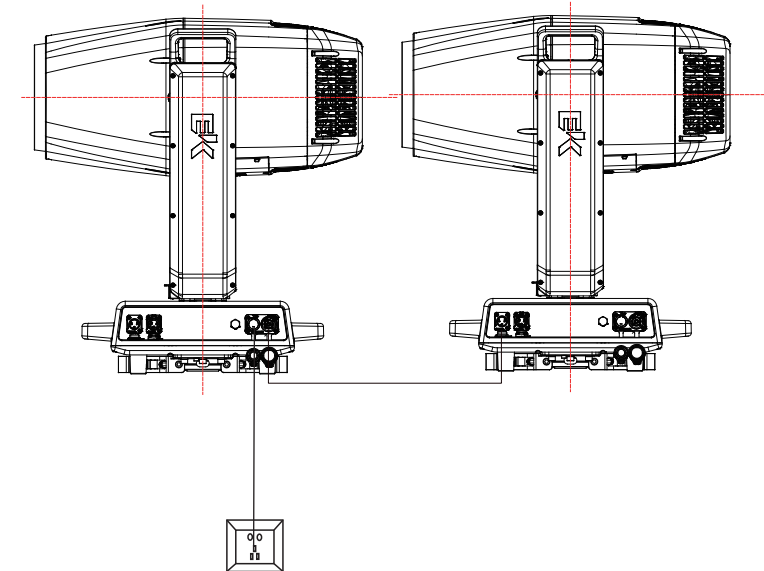
5 Fixture Setting

5.1 Menu

Terminator					
NO.	Main Menu	Sub-Menu	Sub-Menu	Sub-Menu	Note
1	CONNECT	DMX Address	001-512	001-512	1
2	OPTION	Movement Setting	Pan Reverse	Off	Off
			Tilt Reverse	On	Off
			Encoder Pan/Tilt	Off	On
		Lamp Setting	Lamp On/Off	On	Off
			Lamp On Via DMX	Off	On
			Safety Black Out	On	On
				Off	P/T out of sync, shutter in
			Shutter On Error	On	P/T out of sync, shutter stays open
			Warn Cue	Off	On
		Display Setting	Backlight	Off	Blackout after 30s no-op
			Display Reverse	On	Off
				Auto	
			Key Lock	Off	Off
		Reset Setting	All	No	No
			Pan/Tilt	Yes	No
Head	No		No		
3	INFORMATION	System Errors			
		Time	Fixture Hours	0~999 9H	
			Lamp Hours	0~999 9H	
		Lamp Strikes	Lamp Strikes	9999	
			Success Strikes	9999	
		System Version	DISP:V1.0		
			CTR1-XY:V1.0		
			CTR2-MOTOR:V1.0		
			CTR3-MOTOR:V1.0		
			CTR4-MOTOR:V1.0		
UID		030F099*****			

4	TEST	Channel	Cyan	
			Magenta	
			Yellow	
			Cto	
			Color1	
			Color2	
			Color3	
			Strobe	
			Dimmer	
			Dimmer Fine	
			Fixed Gobo	
			Effect	
			REffect	
			Rotating Gobo	
			Gobo Rotation	
			Gobo Fine	
			4PrismInsertion	
			4Prism Rotation	
			8PrismInsertion	
			8Prism Rotation	
			Frost	
			Zoom	
			Focus	
			Focus Fine	
			Beam Mode	
			Pan	
			Pan Fine	
			Tile	
			Tile Fine	
		Function		
Reset				
Lamp Control				
AUTO		Pan/Tilt		
		Colour		
		Beam		
		Gobo		
		All		

6.2 Power Connection



Using 1.5mm² Power cable with PowerCon In/Out connected to mains

Power OUT Attention: due to the power rating, one power cable can connect 2 units maximum.



Power IN



WARNING

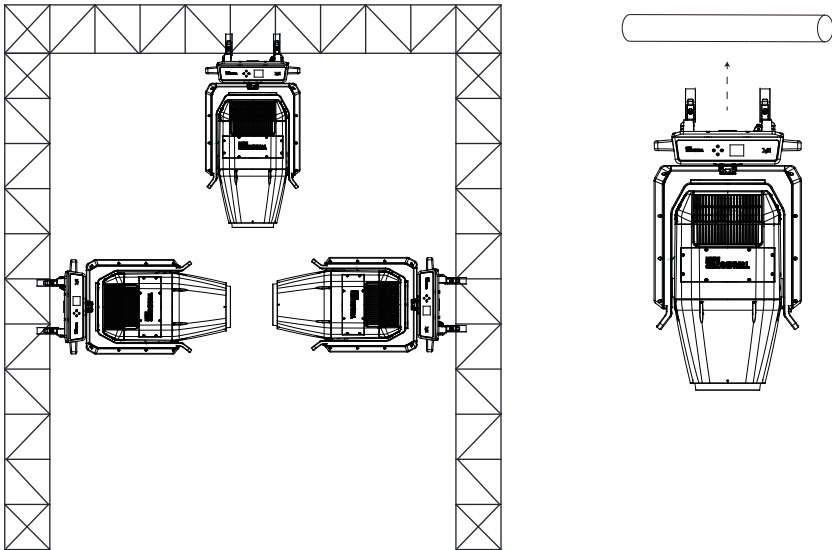
Do not connect more than 2 units in series with one power cable

Do not use damage power cable

Power off the fixture when not in use

6. Installation

6.1.1 Installation



6.1.2 NOTE

We recommend the following general guidelines below:

1. Always mount this product in a safe position and make sure there is adequate room for ventilation, configuration and maintenance.
2. Keep any inflammable materials at a safe distance from the fixture, as indicated in the safety notes.
3. Make sure that the device is not exposed to extreme heat, moisture or dust.
4. Make sure that the structure to which you are hanging the modules can support the weight.

Terminator may be set up on a solid and even surface. The unit can also be mounted upside down to a cross arm. For fixing, stable mounting clips are required. The mounting place must be sufficient stability and be able to support a weight of 10 times of the unit's weight.

When carrying out any installation, always comply scrupulously with all the regulations (particularly regarding safety) currently in force in the country in which the fixture's being used.

- Install the fixture at a suitable location by means of the mounting bracket
- Always additionally secure the fixture with the safety rope from falling down. For this purpose, fasten the safety rope at a suitable position so that the maximum fall of the fixture will be 20 cm.
- Adjust the fixture and use the knob to slightly release or tighten the locking mechanism of the bracket if is necessary

5	ADVANCED Access Code(50)	Calibration	Pan Offset		0-255
			Tilt Offset		
			DimmerA Offset		
			DimmerB Offset		
			Cyan Offset		
			Magenta Offset		
			Yellow Offset		
			Cto Offset		
			Color1 Offset		
			Color2 Offset		
			Color3 Offset		
			Gobo2 Offset		
			Gobo1 Offset		
			RGobo1 Offset		
			Gobo2 Offset		
			4 Prism Offset		
			4 RPrism Offset		
			8 Prism Offset		
			8 RPrism Offset		
		Effect Offset			
Focus Offset					
Zoom Offset					
Frost Offset					
Factory Reset	No				
	Yes				