

Alligator



Guangdong Yiri Lighting Technology Co., Ltd.

No. 55, Zhongzhun Road, Cuiheng New District,

Zhongshan City, Guangdong, China

Tel +86 0760 8828 0099

www.eklights.com

USER MANUAL

CONTENTS

SAFETY	01
INTRODUCTION	02
PHOTOMETRICS	03
DIMENSION	04
OVERVIEW	05
INSTALLATION	06
CONNECTION	07
MENU	10
DMX CHART	12
PIXEL MAPPING	21
MAINTENANCE	23

- Errors or omissions may be possible.
- All specifications are subject for change without prior notice.
- You can scan the QR code to visit our website for updates:



MAINTENANCE

MAINTENANCE AND CLEANING THE UNIT

- Make sure the area below the installation place is free from unwanted person during setup.
- Switch off the unit,unplug the main cable and wait till the unit has cooled down.
- All screws used for installing the device and any of its parts should be tightly fastened and should not be corroded.
- Housings,fixations and installation spots (celling,trusses,suspensions) should be totally free from any deformation.
- The main cables must be in impeccable condition and should be replaced immediately even when a small problem is detected.
- It is recommended to clean the front at regular intervals,from impurities caused by dust,smoke,or other particles to ensure that the ligh is radiated at maximum brightness.For cleaning,disconnect the main plug from the socket.Use a soft,clean cloth moistened with a mild detergent.Then carefully wipe the parts dry. For cleaning other housing parts use only a soft,clean cloth.Never use a liquid,it might penetrate the unit and cause damage to it.

FUSE REPLACEMENT

- 1.Disconnect this product from the power outlet.
- 2.Using a screwdriver,unscrew the fuse holder cap from the housing.
- 3.Remove the blown fuse and replace with a good fuse of the same type and rating.
- 4.Screw the fuse holder cap back in place and reconnect power.



TROUBLESHOOTING

Problems	Possible causes	Checks and remedies
Fixture does not light up	<ul style="list-style-type: none"> • No mains supply • Dimmer fader set to 0 • Faulty LED • Faulty LED board 	<ul style="list-style-type: none"> • Check the power supply voltage • Increase the value of the dimmer channels • Replace the LED board • Replace the LED board
General low light intensity	<ul style="list-style-type: none"> • Dirty lens assembly • Misaligned lens assembly 	<ul style="list-style-type: none"> • Clean the fixture regularly • Install lens assembly properly
Fixture does not power up	<ul style="list-style-type: none"> • No power • Loose or damaged power cord • Faulty internal power supply 	<ul style="list-style-type: none"> • Check for power on power outlet • Check power cord • Replace internal power supply

Contact an authorized service center in case of technical problems or not reported in the above table cannot be resolved by the procedure given in the table.

SAFETY



WARNING! Before carrying out any operations with the unit, carefully read this instruction manual and keep it with care for future reference. It contains important information about the installation, user and maintenance of the unit.



General instruction

- The products referred to in this manual conform to the European Community Directives and are therefore marked with CE.
- The unit is supplied with hazardous network voltage (230V~). Leave serving to skilled personnel only. Never make any modifications on the unit not described in this instruction manual, otherwise you will risk an electric shock.
- Connection must be made to power supply system fitted with efficient earthing (Class I appliance according to standard EN60598-1). It is moreover, recommended to protect the supply lines of the units from indirect contact and/or shorting to earth by using appropriately sized residual current devices.
- The connection to the main network of electric distribution must be carried out by a qualified electrical installer. Check that the main frequency and voltage correspond to those for which the unit is designed as given on the electrical data table.
- This unit is not for home use, only professional applications.
- Never use the fixture under the following conditions:
 - in places subject to vibrations or bumps;
 - in places with a temperature of over 40 °C.
- Make certain that no inflammable liquids, water or metal objects enter the fixture.
- Do not dismantle or modify the fixture.
- All work must always be carried out by qualified technical personnel. Contact the nearest sales point for an inspection or contact the manufacturer directly.
- If the unit is to be put out of operation definitively, take it to a local recycling plant for a disposal which is not harmful to the environment.



Warnings and installation precautions

- If this device will be operated in any way different to the one described in this manual, it may suffer damage and the guarantee becomes void. Furthermore, any operation may lead to dangers like short circuit, burns, electric shock, etc.
- Before starting any maintenance work or cleaning the fixture, cut off power from the main supply.
- Always additionally secure the fixture with the safety rope. When carrying out any work, always comply scrupulously with all the regulations (particularly regarding safety) currently in force in the country in which the fixture's being used.
- Install the fixture in a well ventilated place.
- Keep any inflammable materials at a safe distance from the fixture.
- Shields, lenses or ultraviolet screens shall be changed if they have become damaged to such an extent that their effectiveness is impaired.
- The lamp (LED) shall be changed if it has become damaged or thermally deformed.
- Never look directly at the light beam. Please note that fast changes in lighting, e.g. flashing light, may trigger epileptic seizures in photosensitive persons or persons with epilepsy.
- Do not touch the product's housing when operating because it may be very hot.

INTRODUCTION

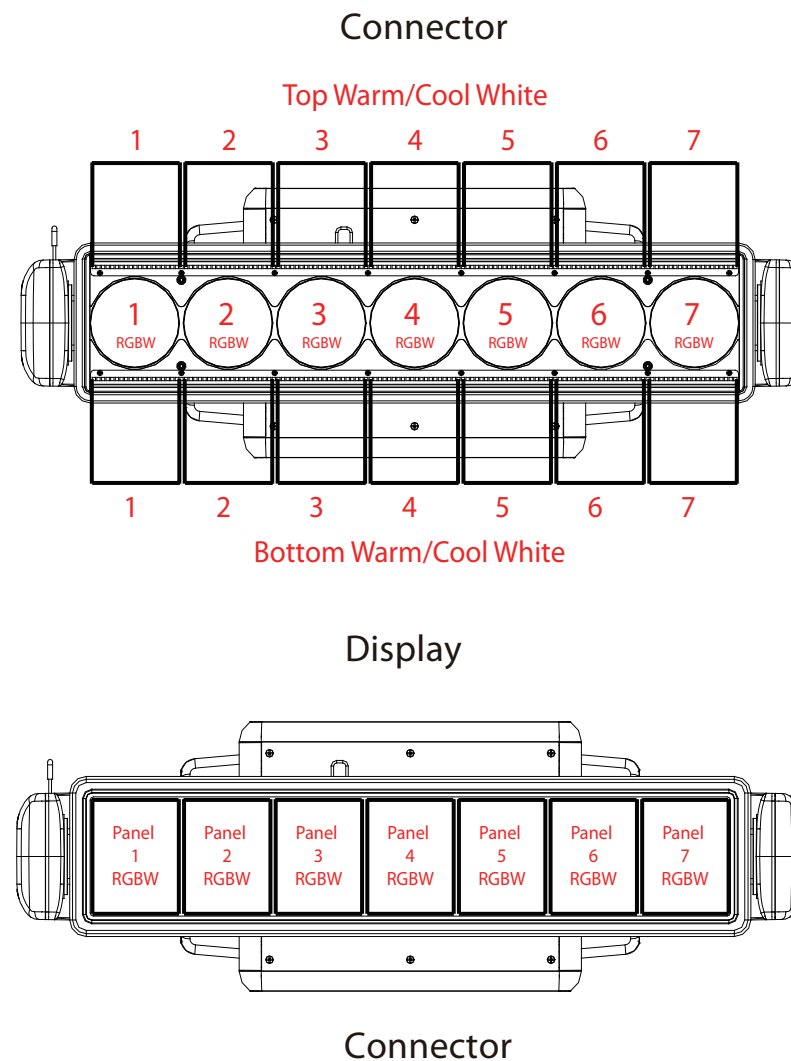
FEATURES

- Creative double-sided design provides flexible solutions for different applications
- Up to 9600lm(front beam/wash panel) up to 18000lm(back strobe panel)
- Speedy infinite pan/tilt movement
- Motorized wide-ranging zoom of 3~37°
- 4 dimming curves with 16-bit high resolution control
- Selectable PWM frequency for flicker-free video
- DMX, RDM and Art-Net control

SPECIFICATIONS

Light Source:	Front panel: 7 * 60W RGBW 4-in-1 + 280W WW&CW Back panel: 700W RGBW
Lumen Output:	Front panel: up to 9600lm Back panel: 18000lm
Lux Output:	Front panel: 52000lux @ 3M Back panel: 800lux @ 3M
Color Temperature:	2800~8000K
CRI:	Ra≥68
DUV:	0.0001-0.009
Wavelength:	Front panel: R:620nm G: 526nm B: 453nm Back panel: R:623nm G: 526nm B: 457nm
TM-30-15rg/rf:	98/83
TLCl:	70
LED Life:	20K hrs
Beam Angle:	Front panel:3~37° Back panel:70°
Field Angle:	Front panel:4~51° Back panel:124°
Pan Movement:	Infinite movement
Tilt Movement:	Infinite movement
Color Mixing:	Front panel: RGBW+WW+CW Back panel: RGBW
Zoom:	3~37° motorized
Strobe:	0~30Hz
LED Refresh Rate:	600Hz/1200Hz/2000HZ/4000HZ/6000HZ/25KHZ
Dimmer:	4 dimming curves, 0~100% adjustable
Mains:	100~240VAC, 50-60Hz
Consumption:	920W@230V(strobe:1500W@230V)
Fuse:	T15A
Power Connections:	Power In
Power Factor:	0.96@230V
Protocol:	DMX512/RDM/ArtNet
Data Connections:	3pin(or 5pin) XLR In/Out for DMX RJ45 In/Out for Art-net
DMX Channels:	26CH/50CH/84CH/98CH
Display:	2.83-inch TFT display
Housing:	Flame-retardant nylon with black finish
Operating Tempt.:	0~45°
Cooling:	Low noise fan for forced-air
IP Rate:	IP20
Dimension:	713*244*451mm
Weight:	27kg

PIXEL MAPPING

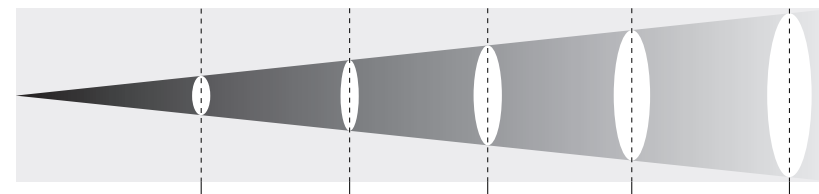


DMX CHART

98Ch Mode				
DMX / NET	DMX+NET	Function	Value	Percent/Setting
40	26	Green7	000-255	0~100%
41	27	Blue7	000-255	0~100%
42	28	White7	000-255	0~100%
43	29	Cool White1	000-255	0~100%
44	30	Warm White1	000-255	0~100%
45	31	Cool White2	000-255	0~100%
46	32	Warm White2	000-255	0~100%
		...	000-255	0~100%
		...	000-255	0~100%
		...	000-255	0~100%
67	53	Cool White13	000-255	0~100%
68	54	Warm White13	000-255	0~100%
69	55	Cool White14	000-255	0~100%
70	56	Warm White14	000-255	0~100%
71	57	Panel Red1	000-255	0~100%
72	58	Panel Green1	000-255	0~100%
73	59	Panel Blue1	000-255	0~100%
74	60	Panel White1	000-255	0~100%
75	61	Panel Red2	000-255	0~100%
76	62	Panel Green2	000-255	0~100%
77	63	Panel Blue2	000-255	0~100%
78	64	Panel White2	000-255	0~100%
		...	000-255	0~100%
		...	000-255	0~100%
		...	000-255	0~100%
		...	000-255	0~100%
95	81	Panel Red7	000-255	0~100%
96	82	Panel Green7	000-255	0~100%
97	83	Panel Blue7	000-255	0~100%
98	84	Panel White7	000-255	0~100%

PHOTOMETRICS

Front Panel



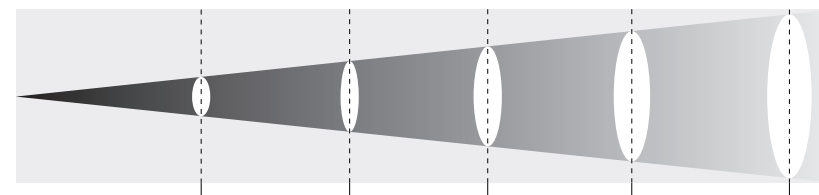
3°

Distance(m)	3	5	7	10	20
Illuminance(lux)	52000	27600	18600	11800	1170
Diameter(cm)	ø 15	ø 25	ø 35	ø 50	ø 100

37°

Distance(m)	3	5	7	10	20
Illuminance(lux)	2000	720	367	180	45
Diameter(cm)	ø 202	ø 336	ø 471	ø 673	ø 1346

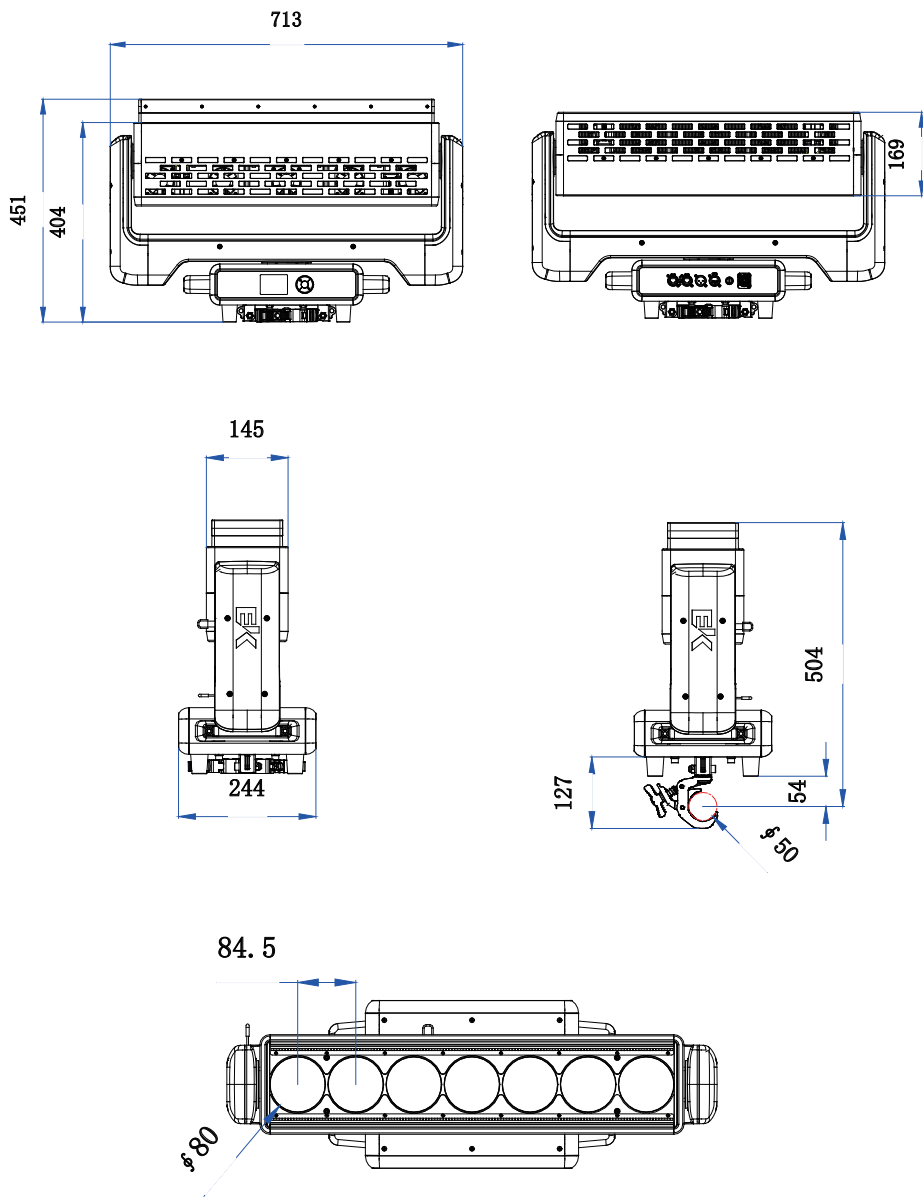
Back Panel



70°

Distance(m)	3	5	7	10	20
Illuminance(lux)	810	291	148	73	32
Diameter(cm)	ø 420	ø 700	ø 980	ø 1400	ø 2100

DIMENSION



DMX CHART

98Ch Mode				
DMX / NET	DMX+NET	Function	Value	Percent/Setting
8	8	Strobe	000-003	Light OFF
			004-103	Strobe from low (1Hz) to fast (25Hz)
			104-107	Light ON
			108-207	Pulsation from slow (0.5 Hz) to fast (25 Hz)
			208-212	Light ON
			213-225	Random Slow Strobe
			226-238	Random Medium Strobe
			239-251	Random Fast Strobe
9	9	Dimmer	252-255	Light ON
			000-255	0~100%
10	10	White Strobe	000-003	Light OFF
			004-103	Strobe from low (1Hz) to fast (25Hz)
			104-107	Light ON
			108-207	Pulsation from slow (0.5 Hz) to fast (25 Hz)
			208-212	Light ON
			213-225	Random Slow Strobe
			226-238	Random Medium Strobe
			239-251	Random Fast Strobe
11	11	White Dimmer	252-255	Light ON
			000-255	0~100%
12	12	Panel Strobe	000-003	Light OFF
			004-103	Strobe from low (1Hz) to fast (25Hz)
			104-107	Light ON
			108-207	Pulsation from slow (0.5 Hz) to fast (25 Hz)
			208-212	Light ON
			213-225	Random Slow Strobe
			226-238	Random Medium Strobe
			239-251	Random Fast Strobe
13	13	Panel Dimmer	252-255	Light ON
			000-255	0~100%
14	14	Device Setting	000-005	No Function
			026-076	Head Reset (Hold 5S)
			077-127	Pan/Tilt Reset (Hold 5S)
			128-178	Complete Reset(Hold 5S)
			179-192	No Function
			193-200	Dimmer Mode 1
			201-208	Dimmer Mode 2
			209-216	Dimmer Mode 3
			217-224	Dimmer Mode 4
			225-255	No Function
			15	1
16	2	Green1	000-255	0~100%
17	3	Blue1	000-255	0~100%
18	4	White1	000-255	0~100%
19	5	Red2	000-255	0~100%
20	6	Green2	000-255	0~100%
21	7	Blue2	000-255	0~100%
22	8	White2	000-255	0~100%
		...	000-255	0~100%
		...	000-255	0~100%
		...	000-255	0~100%
		...	000-255	0~100%
39	25	Red7	000-255	0~100%

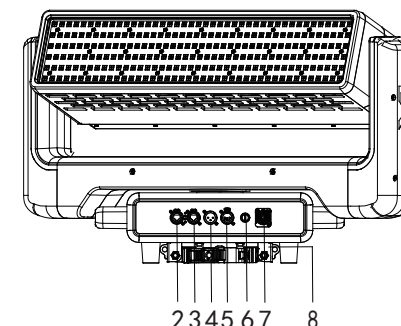
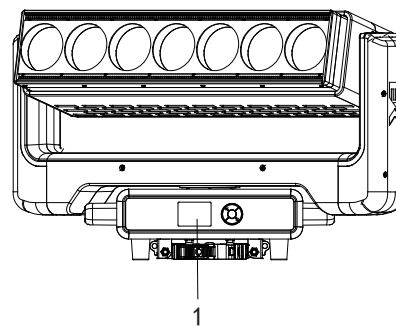
DMX CHART

84Ch Mode				
DMX / NET	DMX+NET	Function	Value	Percent/Setting
21	7	Blue2	000-255	0~100%
22	8	White2	000-255	0~100%
		...	000-255	0~100%
		...	000-255	0~100%
		...	000-255	0~100%
		...	000-255	0~100%
39	25	Red7	000-255	0~100%
40	26	Green7	000-255	0~100%
41	27	Blue7	000-255	0~100%
42	28	White7	000-255	0~100%
43	29	Cool White1	000-255	0~100%
44	30	Warm White1	000-255	0~100%
45	31	Cool White2	000-255	0~100%
46	32	Warm White2	000-255	0~100%
		...	000-255	0~100%
		...	000-255	0~100%
		...	000-255	0~100%
53	39	Cool White6	000-255	0~100%
54	40	Warm White6	000-255	0~100%
55	41	Cool White7	000-255	0~100%
56	42	Warm White7	000-255	0~100%
57	43	Panel Red1	000-255	0~100%
58	44	Panel Green1	000-255	0~100%
59	45	Panel Blue1	000-255	0~100%
60	46	Panel White1	000-255	0~100%
61	47	Panel Red2	000-255	0~100%
62	48	Panel Green2	000-255	0~100%
63	49	Panel Blue2	000-255	0~100%
64	50	Panel White2	000-255	0~100%
		...	000-255	0~100%
		...	000-255	0~100%
		...	000-255	0~100%
		...	000-255	0~100%
		...	000-255	0~100%
81	67	Panel Red7	000-255	0~100%
82	68	Panel Green7	000-255	0~100%
83	69	Panel Blue7	000-255	0~100%
84	70	Panel White7	000-255	0~100%

98Ch Mode				
DMX / NET	DMX+NET	Function	Value	Percent/Setting
1	1	Pan Rotation	000-003	Indexing
			004-129	Fast to Slow(Forward Spin)
			130-255	Slow to Fast(Revers Spin)
2	2	Pan	000-255	Positioning from 0-540 degrees(Indexing)
3	3	Pan Fine	000-255	Positioning from 0-540 degrees(Indexing)
4	4	Tilt Rotation	000-003	Indexing
			004-129	Fast to Slow(Forward Spin)
			130-255	Slow to Fast(Revers Spin)
5	5	Tilt	000-255	Positioning from 0-540 degrees(Indexing)
6	6	Tilt Fine	000-255	Positioning from 0-540 degrees(Indexing)
7	7	Zoom	000-255	From narrow to wide beam

OVERVIEW

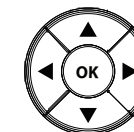
Fixture Illustration



- 1. CONTROL PANEL
- 2/3. RJ45 for Art-Net
- 4. 3pin(or 5pin) XLR In for DMX
- 5. 3pin(or 5pin) XLR In for DMX

- 6. Fuse
- 7. PowerCon In
- 8. Clamp

Control Panel

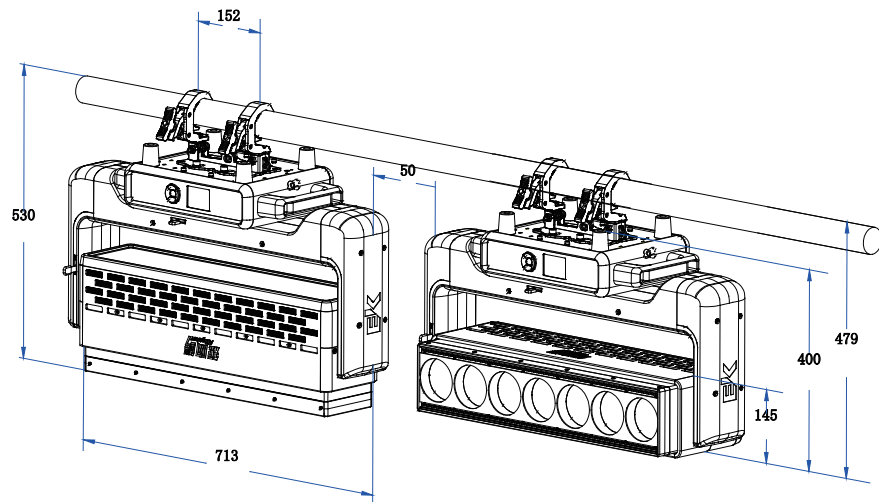


MODE	ILLUSTRATION	FUNCTION DESCRIPTION	EFFECT
MENU	Menu Option	Enter the menu	Menu operation
UP	Up	Scroll up	Increase the numeric value
DOWN	Down	Scroll down	Decrease the numeric value
ENTER	Confirm	Confirm	Save the function
OK	Confirm	Confirm	Save the function

If the panel is password-protected, go to the Advanced menu, in the Menu locking submenu, enter the Unlock code using the navigation buttons: **1234**

If you want to flip the display, hold **UP + DOWN** buttons for 3seconds to set display orientation.

INSTALLATION



We recommend the following general guidelines below:

1. Always mount this product in a safe position and make sure there is adequate room for ventilation, configuration and maintenance.
2. Keep any inflammable materials at a safe distance from the fixture, as indicated in the safety notes.
3. Make sure that the device is not exposed to extreme heat, moisture or dust.
4. Make sure that the structure to which you are hanging the modules can support the weight.

Alligator may be set up on a solid and even surface. The unit can also be mounted upside down to a cross arm. For fixing, stable mounting clips are required. The mounting place must be sufficient stability and be able to support a weight of 10 times of the unit's weight.

When carrying out any installation, always comply scrupulously with all the regulations (particularly regarding safety) currently in force in the country in which the fixture's being used.

- Install the fixture at a suitable location by means of the mounting bracket
- Always additionally secure the fixture with the safety rope from falling down. For this purpose, fasten the safety rope at a suitable position so that the maximum fall of the fixture will be 20 cm.
- Adjust the fixture and use the knob to slightly release or tighten the locking mechanism of the bracket if is necessary

DMX CHART

84Ch Mode				
DMX / NET	DMX+NET	Function	Value	Percent/Setting
4	4	Tilt Rotation	000-003	Indexing
			004-129	Fast to Slow(Forward Spin)
			130-255	Slow to Fast(Revers Spin)
5	5	Tilt	000-255	Positioning from 0-540 degrees(Indexing)
6	6	Tilt Fine	000-255	
7	7	Zoom	000-255	From narrow to wide beam
8	8	Strobe	000-003	Light OFF
			004-103	Strobe from low (1Hz) to fast (25Hz)
			104-107	Light ON
			108-207	Pulsation from slow (0.5 Hz) to fast (25 Hz)
			208-212	Light ON
			213-225	Random Slow Strobe
			226-238	Random Medium Strobe
			239-251	Random Fast Strobe
			252-255	Light ON
			9	9
10	10	White Strobe	000-003	Light OFF
			004-103	Strobe from low (1Hz) to fast (25Hz)
			104-107	Light ON
			108-207	Pulsation from slow (0.5 Hz) to fast (25 Hz)
			208-212	Light ON
			213-225	Random Slow Strobe
			226-238	Random Medium Strobe
			239-251	Random Fast Strobe
252-255	Light ON			
11	11	White Dimmer	000-255	0~100%
12	12	Panel Strobe	000-003	Light OFF
			004-103	Strobe from low (1Hz) to fast (25Hz)
			104-107	Light ON
			108-207	Pulsation from slow (0.5 Hz) to fast (25 Hz)
			208-212	Light ON
			213-225	Random Slow Strobe
			226-238	Random Medium Strobe
			239-251	Random Fast Strobe
252-255	Light ON			
13	13	Panel Dimmer	000-255	0~100%
14	14	Device Setting	000-005	No Function
			026-076	Head Reset (Hold 5S)
			077-127	Pan/Tilt Reset (Hold 5S)
			128-178	Complete Reset(Hold 5S)
			179-192	No Function
			193-200	Dimmer Mode 1
			201-208	Dimmer Mode 2
			209-216	Dimmer Mode 3
			217-224	Dimmer Mode 4
			225-255	No Function
15	1	Red1	000-255	0~100%
16	2	Green1	000-255	0~100%
17	3	Blue1	000-255	0~100%
18	4	White1	000-255	0~100%
19	5	Red2	000-255	0~100%
20	6	Green2	000-255	0~100%

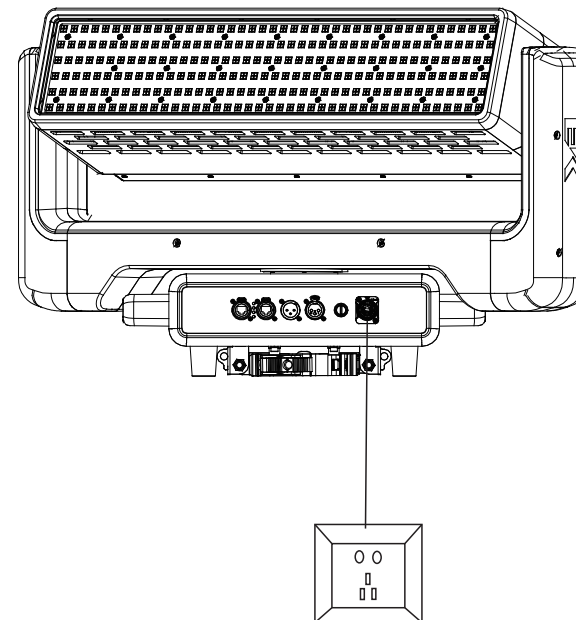
DMX CHART

50 Ch Mode				
DMX / NET	DMX+NET	Function	Value	Percent/Setting
24	24	Panel Effects	187-193	Effect 24
			194-201	Effect 25
			202-209	Effect 26
			210-217	Effect 27
			218-224	Effect 28
			225-232	Effect 29
			233-240	Effect 30
			241-248	Effect 31
25	25	Panel Effects speed	000-124	Normal
			125-130	Static
			131-255	Dynamic
26	26	Device Setting	000-005	No Function
			026-076	Head Reset (Hold 5S)
			077-127	Pan/Tilt Reset (Hold 5S)
			128-178	Complete Reset(Hold 5S)
			179-192	No Function
			193-200	Dimmer Mode 1
			201-208	Dimmer Mode 2
			209-216	Dimmer Mode 3
			217-224	Dimmer Mode 4
			225-255	No Function
			27	1
28	2	Green	000-255	0~100%
29	3	Blue	000-255	0~100%
30	4	White	000-255	0~100%
31	5	Background Red	000-255	0~100%
32	6	Background Green	000-255	0~100%
33	7	Background Blue	000-255	0~100%
34	8	Background White	000-255	0~100%
35	9	Top Cool White	000-255	0~100%
36	10	Top Warm White	000-255	0~100%
37	11	Bottom Cool White	000-255	0~100%
38	12	Bottom Warm White	000-255	0~100%
39	13	Background Top Cool White	000-255	0~100%
40	14	Background Top Warm White	000-255	0~100%
41	15	Background Bottom Cool White	000-255	0~100%
42	16	Background Bottom Warm White	000-255	0~100%
43	17	Red	000-255	0~100%
44	18	Green	000-255	0~100%
45	19	Blue	000-255	0~100%
46	20	White	000-255	0~100%
47	21	Background Red	000-255	0~100%
48	22	Background Green	000-255	0~100%
49	23	Background Blue	000-255	0~100%
50	24	Background White	000-255	0~100%

84Ch Mode				
DMX / NET	DMX+NET	Function	Value	Percent/Setting
1	1	Pan Rotation	000-003	Indexing
			004-129	Fast to Slow(Forward Spin)
			130-255	Slow to Fast(Revers Spin)
2	2	Pan	000-255	Positioning from 0-540 degrees(Indexing)
3	3	Pan Fine	000-255	

CONNECTION

POWER CONNECTION



Using Power Con In power cable connected in series
 Attention: due to power rating, one 1.5mm² power cable
 can connect 1 unit maximum

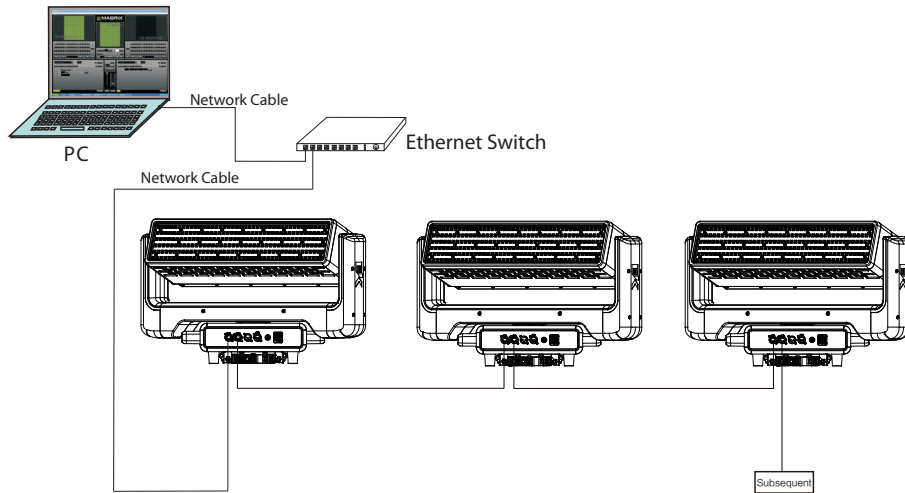


WARNING

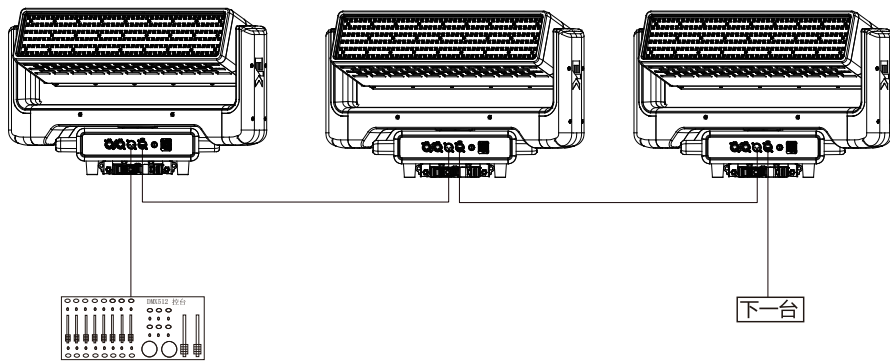
Do not connect more than 1 unit in series with one power cable
 Do not use damage power cable
 Power off the fixture when not in use

CONNECTION

ETHERNET CONNECTION



DMX CONNECTION



DMX CHART

50 Ch Mode				
DMX / NET	DMX+NET	Function	Value	Percent/Setting
18	18	White Effects	148-155	Effect 19
			156-162	Effect 20
			163-170	Effect 21
			171-178	Effect 22
			179-186	Effect 23
			187-193	Effect 24
			194-201	Effect 25
			202-209	Effect 26
			210-217	Effect 27
			218-224	Effect 28
			225-232	Effect 29
			233-240	Effect 30
241-248	Effect 31			
249-255	Effect 32			
19	19	White Effects speed	000-124	Normal
			125-130	Static
			131-255	Dynamic
20	20	Panel Strobe	000-003	Light OFF
			004-103	Strobe from low (1Hz) to fast (25Hz)
			104-107	Light ON
			108-207	Pulsation from slow (0.5 Hz) to fast (25 Hz)
			208-212	Light ON
			213-225	Random Slow Strobe
			226-238	Random Medium Strobe
			239-251	Random Fast Strobe
			252-255	Light ON
21	21	Panel Dimmer	000-255	0~100%
22	22	Panel CTO	000-009	OFF
			010-255	CTO 8000K~2700K
23	23	Panel Background CTO	000-009	OFF
			010-255	CTO 8000K~2700K
24	24	Panel Effects	000-005	No Function
			006-015	Effect 1
			016-023	Effect 2
			024-031	Effect 3
			032-038	Effect 4
			039-046	Effect 5
			047-054	Effect 6
			055-062	Effect 7
			063-069	Effect 8
			070-077	Effect 9
			078-085	Effect 10
			086-093	Effect 11
			094-100	Effect 12
			101-108	Effect 13
			109-116	Effect 14
			117-124	Effect 15
			125-131	Effect 16
			132-139	Effect 17
			140-147	Effect 18
			148-155	Effect 19
			156-162	Effect 20
			163-170	Effect 21
			171-178	Effect 22
			179-186	Effect 23

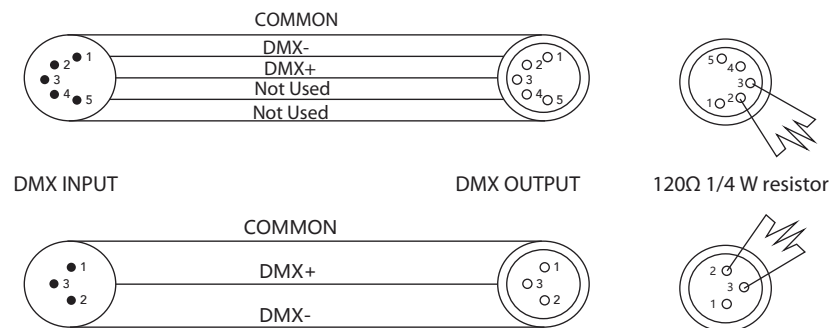
DMX CHART

50 Ch Mode				
DMX / NET	DMX+NET	Function	Value	Percent/Setting
12	12	Effects	132-139	Effect 17
			140-147	Effect 18
			148-155	Effect 19
			156-162	Effect 20
			163-170	Effect 21
			171-178	Effect 22
			179-186	Effect 23
			187-193	Effect 24
			194-201	Effect 25
			202-209	Effect 26
			210-217	Effect 27
			218-224	Effect 28
			225-232	Effect 29
			233-240	Effect 30
			241-248	Effect 31
			249-255	Effect 32
			13	13
125-130	Static			
131-255	Dynamic			
14	14	White Strobe	000-003	Light OFF
			004-103	Strobe from low (1Hz) to fast (25Hz)
			104-107	Light ON
			108-207	Pulsation from slow (0.5 Hz) to fast (25 Hz)
			208-212	Light ON
			213-225	Random Slow Strobe
			226-238	Random Medium Strobe
			239-251	Random Fast Strobe
			252-255	Light ON
15	15	White Dimmer	000-255	0~100%
16	16	White CTO	000-009	OFF
			010-255	CTO 8000K~2700K
17	17	White Background CTO	000-009	OFF
			010-255	CTO 8000K~2700K
18	18	White Effects	000-005	No Function
			006-015	Effect 1
			016-023	Effect 2
			024-031	Effect 3
			032-038	Effect 4
			039-046	Effect 5
			047-054	Effect 6
			055-062	Effect 7
			063-069	Effect 8
			070-077	Effect 9
			078-085	Effect 10
			086-093	Effect 11
			094-100	Effect 12
			101-108	Effect 13
			109-116	Effect 14
			117-124	Effect 15
			125-131	Effect 16
132-139	Effect 17			
140-147	Effect 18			

CONNECTION

DMX CONNECTION

- Depending on the length of the DMX cable run, or other factors, it may be advisable to install a terminator at the last fixture in the run.
- The illustration below shows the correct placement of a 120Ω 0.25W resistor in a terminator, as well as the standard DMX signal pin-outs



EXAMPLE OF DMX ADDRESSING

The below table shows an example of starting addresses for four fixtures assuming a first fixture with starting address of 001. The actual starting addresses will be determined by the operator as needed to match external controller settings.

Relation between DMX and Address

MODE	ALLOCATION	START ADDRESS 1ST FIXTURE	START ADDRESS 2ND FIXTURE	START ADDRESS 3RD FIXTURE	START ADDRESS 4TH FIXTURE
26CH	001 - 026	001	027	053	079

Follow above method for subsequent fixtures, calculating starting addressed as indicated.

MENU

NO.	Main Menu	Menu level 1	Menu level 2	Menu level 3	Menu level 4	Default	
1	SETUP	DMX Address	1-512			1	
			DMX Channel	26CH			32CH
				50CH			
				84CH			
		Protocol	98CH				
			DMX			DMX	
			Artnet				
		Ethernet Interface	DMX+Artnet	ArtNet for color mixing only			
			Universe	0-255		0	
			Start Channel	1-512		1	
			Custom IP Address	2.133.139.215		2.xxx.xxx.xxx	
			Custom IP Mask	255.0.0.0		255.0.0.0	
			Ethernet To DMX	NO			No
				Yes			
Movement Setting	Tilt Reverse	Off			Off		
		On					
	Encoder Pan/Tilt	Off			On		
		On					
Display Setting	Warn Cue	Off			On		
		On					
	Backlight	Off			Off		
		On					
	Display Reverse	Off			Off		
		On					
Key Lock	Off			Off			
	On						
2	OPTION	Fan Mode	Auto			Auto	
			Theatre				
			High				
		Dimmer Mode	Dimmer Mode 1			Dimmer Mode 1	
			Dimmer Mode 2				
			Dimmer Mode 3				
			Dimmer Mode 4				
			Dimmer Mode 5				
		Dimmer Curve	Dimmer Curve 1			Dimmer Curve 2	
			Dimmer Curve 2				
			Dimmer Curve 3				
			Dimmer Curve 4				
			Dimmer Curve 5				
		PWM Frequency	600Hz			2000Hz	
			1200Hz				
			2000Hz				
			4000Hz				
			6000Hz				
		LED Reverse	25000Hz				
			Off			Off	
		Reset Setting	All	No			
				Yes			
			Pan/Tilt	No			No
				Yes			
Zoom	No				No		
	Yes						

DMX CHART

26Ch Mode				
DMX / NET	DMX+NET	Function	Value	Percent/Setting
19	5	Top Cool White	000-255	0~100%
20	6	Top Warm White	000-255	0~100%
21	7	Bottom Cool White	000-255	0~100%
22	8	Bottom Warm White	000-255	0~100%
23	9	Panel Red	000-255	0~100%
24	10	Panel Green	000-255	0~100%
25	11	Panel Blue	000-255	0~100%
26	12	Panel White	000-255	0~100%

50 Ch Mode				
DMX / NET	DMX+NET	Function	Value	Percent/Setting
1	1	Pan Rotation	000-003	Indexing
			004-129	Fast to Slow(Forward Spin)
			130-255	Slow to Fast(Revers Spin)
2	2	Pan	000-255	Positioning from 0-540 degrees(Indexing)
			3	
4	4	Tilt Rotation	000-003	Indexing
			004-129	Fast to Slow(Forward Spin)
			130-255	Slow to Fast(Revers Spin)
5	5	Tilt	000-255	Positioning from 0-540 degrees(Indexing)
6	6	Tilt Fine	000-255	
7	7	Zoom	000-255	From narrow to wide beam
8	8	Strobe	000-003	Light OFF
			004-103	Strobe from low (1Hz) to fast (25Hz)
			104-107	Light ON
			108-207	Pulsation from slow (0.5 Hz) to fast (25 Hz)
			208-212	Light ON
			213-225	Random Slow Strobe
			226-238	Random Medium Strobe
			239-251	Random Fast Strobe
252-255	Light ON			
9	9	Dimmer	000-255	0~100%
10	10	CTO	000-009	OFF
			010-255	CTO 8000K~2700K
11	11	Background CTO	000-009	OFF
			010-255	CTO 8000K~2700K
12	12	Effects	000-005	No Function
			006-015	Effect 1
			016-023	Effect 2
			024-031	Effect 3
			032-038	Effect 4
			039-046	Effect 5
			047-054	Effect 6
			055-062	Effect 7
			063-069	Effect 8
			070-077	Effect 9
			078-085	Effect 10
			086-093	Effect 11
			094-100	Effect 12
			101-108	Effect 13
			109-116	Effect 14
			117-124	Effect 15
125-131	Effect 16			

DMX CHART

26Ch Mode				
DMX / NET	DMX+NET	Function	Value	Percent/Setting
1	1	Pan Rotation	000-003	Indexing
			004-129	Fast to Slow(Forward Spin)
			130-255	Slow to Fast(Revers Spin)
2	2	Pan	000-255	Positioning from 0-540 degrees(Indexing)
3	3	Pan Fine	000-255	
4	4	Tilt Rotation	000-003	Indexing
			004-129	Fast to Slow(Forward Spin)
			130-255	Slow to Fast(Revers Spin)
5	5	Tilt	000-255	Positioning from 0-540 degrees(Indexing)
6	6	Tilt Fine	000-255	
7	7	Zoom	000-255	From narrow to wide beam
8	8	Strobe	000-003	Light OFF
			004-103	Strobe from low (1Hz) to fast (25Hz)
			104-107	Light ON
			108-207	Pulsation from slow (0.5 Hz) to fast (25 Hz)
			208-212	Light ON
			213-225	Random Slow Strobe
			226-238	Random Medium Strobe
			239-251	Random Fast Strobe
			252-255	Light ON
9	9	Dimmer	000-255	0~100%
10	10	White Strobe	000-003	Light OFF
			004-103	Strobe from low (1Hz) to fast (25Hz)
			104-107	Light ON
			108-207	Pulsation from slow (0.5 Hz) to fast (25 Hz)
			208-212	Light ON
			213-225	Random Slow Strobe
			226-238	Random Medium Strobe
			239-251	Random Fast Strobe
252-255	Light ON			
11	11	White Dimmer	000-255	0~100%
12	12	Panel Strobe	000-003	Light OFF
			004-103	Strobe from low (1Hz) to fast (25Hz)
			104-107	Light ON
			108-207	Pulsation from slow (0.5 Hz) to fast (25 Hz)
			208-212	Light ON
			213-225	Random Slow Strobe
			226-238	Random Medium Strobe
			239-251	Random Fast Strobe
252-255	Light ON			
13	13	Panel Dimmer	000-255	0~100%
14	14	Device Setting	000-005	No Function
			026-076	Head Reset (Hold 5S)
			077-127	Pan/Tilt Reset (Hold 5S)
			128-178	Complete Reset(Hold 5S)
			179-192	No Function
			193-200	Dimmer Mode 1
			201-208	Dimmer Mode 2
			209-216	Dimmer Mode 3
217-224	Dimmer Mode 4			
225-255	No Function			
15	1	Red	000-255	0~100%
16	2	Green	000-255	0~100%
17	3	Blue	000-255	0~100%
18	4	White	000-255	0~100%

MENU

NO.	Main Menu	Menu level 1	Menu level 2	Menu level 3	Menu level 4	Default	
3	INFORMATION	System Errors					
		System Version	DISP:V1.0				
			CTR1-XY:V1.0				
			CTR2-LED1:V1.0				
			CTR3-LED2:V1.0				
		Led Hours	Total Hours	0~65000H			
			Partial Hours	0~65000H	Reset		
		Fixture Hours	Total Hours	0~65000H			
			Partial Hours	0~65000H	Reset	Go Back	
		Led Temperature	LED A				
			LED B				
			LED C				
UID	030F0AE*****						
4	TEST	AUTO	Pan/Tilt				
			Colour				
			Zoom				
			All				
			1	Pan Rotation	0-255		
			2	Pan	0-255		
		3	Pan Fine	0-255			
		4	Tilt Rotation	0-255			
		5	Tilt	0-255			
		6	Tilt Fine	0-255			
		7	Zoom	0-255			
		8	Strobe	0-255			
		9	Dimmer	0-255			
		10	White Strobe	0-255			
		11	White Dimmer	0-255			
		12	Panel Strobe	0-255			
		13	Panel Dimmer	0-255			
		14	Device Setting	0-255			
		15	Red	0-255			
		16	Green	0-255			
		17	Blue	0-255			
		18	White	0-255			
		19	Top Cool White	0-255			
		20	Top Warm White	0-255			
		21	Bottom Cool White	0-255			
		22	Bottom Warm White	0-255			
23	Panel Red	0-255					
24	Panel Green	0-255					
25	Panel Blue	0-255					
26	Panel White	0-255					
5	ADVANCED (Code:1234)	Calibration	Tilt Offset	000-255		128	
			Pan Offset	000-255		128	
			Zoom Offset	000-255		128	
		Color Calibration	OFF				
			Factory Calibration	Red1-7	<125-255>		OFF
				Green1-7	<125-255>		
				Blue1-7	<125-255>		
			White1-7	<125-255>			
			customized Calibration	Red1-7	<125-255>		
		Green1-7		<125-255>			
Blue1-7	<125-255>						
Recover	No				No		
	Yes						