

EC12



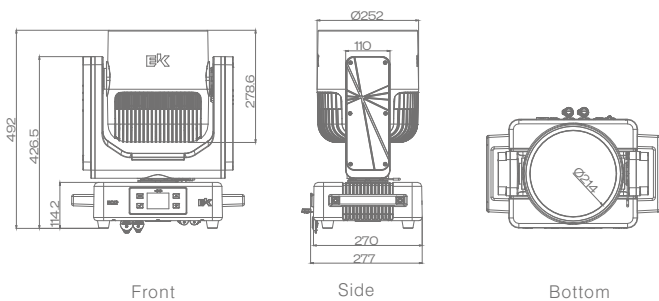
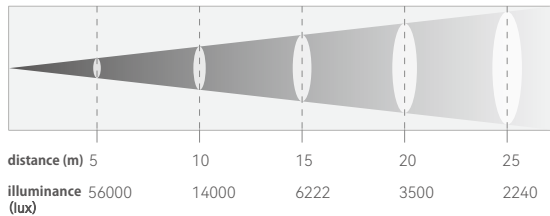
Variable Zoom LED Beam Wash Moving Head Light

- 12*50W RGBWW LED light source
- Output up to 11000lumen
- color temperature 2500K ~ 8000K
- 3.8°~52° variable zoom range
- CRI > 90
- RGBWW rich and saturated color mixing
- Independent channel to calibrate color temperature
- Perfect 16bit dimming
- Flicker-free output suitable for any camera/videos
- Pan Tilt speed mode optional: Normal /Fast
- DMX512/RDM/sACN/Artnet/Bluetooth/APP/NFC
- Weather-resistant IP66 tour-grade construction

Color Mixing



Beam Angle 3.8°



PHOTOMETRICS	
Light Source	12*50W RGBWW LED
Color Temperature	2500K-8000K
Lumen Output	>11000LM
CRI	>90
LED life	50000H

KEY FEATURES	
PAN	540°
TILT	270°
Color System	RGBWW
Zoom	Beam angle 3.8°-35°, pan beam angle 5.4°-52°
Strobe	1-30HZ
Dimmer	0-100% linear dimming

CONTROL	
Protocol	DMX512/RDM/sACN/Artnet/Bluetooth/APP/NFC
DMX Channel	16CH/34CH/31CH
Data Connections	3-pin or 5-pin DMX IN/Out
Display	2.8 inch TFT display
Frequency	600Hz/1.2KHz/2KHz/4KHz/6KHz/25KHz
Built-in programs	Yes
Pixel Control	Single+integrated pixel control

POWER	
Mains	100-240V,50/60Hz
Consumption	230V@720W
Power connections	PowerCon In/Out
Data connections	DMX In/Out
Max power linking qty	linking up to 3pcs
Max data linking qty	linking up to 32pcs
Power Factor	230V@0.95
Ambient	-20 ~ 50°C

PHYSICAL	
Size	428.9*277.1*492mm
Weight	19.5Kg
IP rating	IP66
Cooling	Heat sink with noiseless fan
Housing	die-cast magnesium

ACCESSORY	
Standard	power cable, data cable, omega bracket